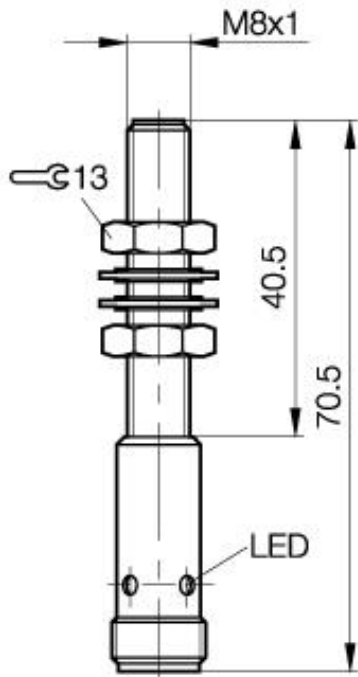


Inductive Sensors
BES 516-527-S 4-H
M8x1 x 70.5
normally-closed
Sn=1,5mm
shielded



PX0525

Common Data

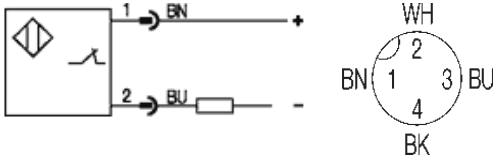
| | |
|--------------------------------|-------------|
| Mounting in steel | shielded |
| Rated operating distance Sn | 1,5mm |
| Assured operating distance Sa | 0...1.2mm |
| Repeatability R | ≤ 5% |
| Hysteresis | ≤ 20% |
| Function indication | yes |
| Ambient temperature range | -25...+70°C |
| Polution Degree | 3 |
| Time delay before availability | ≤ 10ms |

Mechanical Data

| | |
|---|--------------------|
| Measurements BxHxT or DxT | M8x1 x 70.5mm |
| Housing material | stainless steel |
| Material of sensing face | PBTP |
| Degree of protection | IP67IP |
| Connection | Connector S4 (M12) |
| Shock: Halfsinus, 30 gn, 11ms | |
| Vibration: 55 Hz, 1mm Amplitude, 3 x 30 Minutes | |

Electrical Data

| | |
|-------------------------------------|-----------------|
| Current type | DC |
| Wiring | 2-Wire |
| switching function | normally-closed |
| Output signal | non-polarized |
| Rated operational voltage | 24 DCV |
| Rated operational current | 130mA |
| Supply voltage | 10...55 DCV |
| Ripple | ≤ 15% |
| max. switching frequency | 3000Hz |
| Minimum operational current | 5.0mA |
| No-load supply current | -/-mA |
| Off-state current | ≤ 500µA |
| Voltage drop | ≤ 5.0/-V |
| Short circuit protection | yes |
| Protected against polarity reversal | yes |



Remarks

Mounting Instructions 825345



Utilization categories DC 13
 Insulation class

Datasheet number:

Definitions see general catalog.
 If not otherwise noted, ratings according to IEC 60947-5-2 (DIN EN60947-5-2)

Balluff GmbH
 Schurwaldstrasse 9
 73765 Neuhausen a.d.F.
 Phone (07158) 173-0 Fax (07158) 5010

Datenblatt by CD-ROM - 04/2007

